

MIXER AMPLIFIER

Media Player

Model:

- Q-60**
- Q-120**
- Q-240**

USER MANUAL

Content

Features	3
Precautions	3
Front panel functions	4
Back panel functions	4
Loadspeaker connection.....	5
Key parameters.....	6



CAUTION



To prevent electrical shock do not remove covers: Risk of Electric shock!
No user serviceable parts inside.
Refer all services to qualified personnel only.

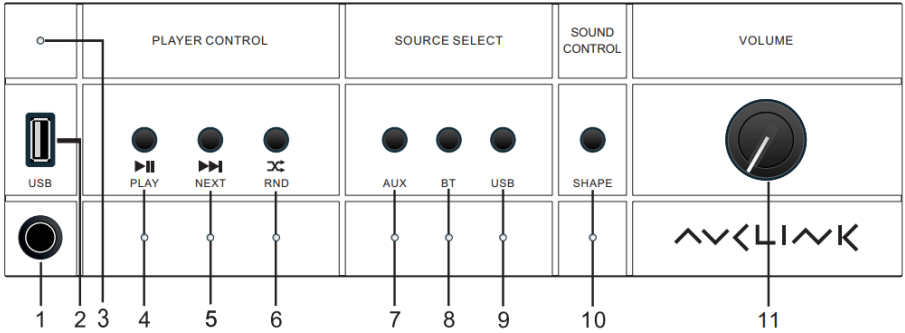
Features

1. 1 x MIC input, 1 x AUX input and 1 x SUB OUT output for link;
2. Speaker output and line transformer 100V, 4-16 ohms;
3. Individual gain control
4. Bass and treble control
5. Short Circuit Protection
6. Microphone Echo System
7. USB Port
8. Bluetooth
9. Priority Mute Control Terminal. USB, Aux, and Bluetooth outputs are muted when the mute contacts are closed.

Precautions

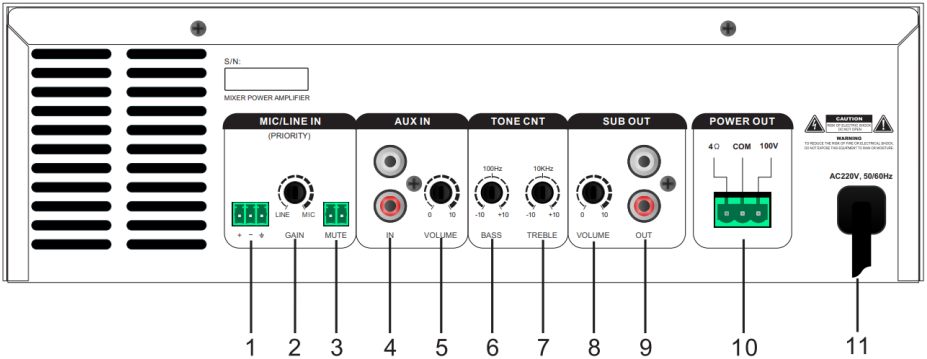
1. Do not block the ventilation holes
2. The amplifier should not be placed in the following places
 - a) with poor ventilation
 - b) exposed to direct sunlight
 - c) with high ambient temperature or adjacent heat/generating equipment
 - d) with high level of humidity or dust
3. Make sure the power outlet conforms to the plug of the unit
4. Do not use this unit if the electrical power is frayed or broken
5. Always operate the unit with AC ground connection to the electrical system ground
6. If the apparatus is short circuit, turn off the apparatus and require maintenance

Front panel functions



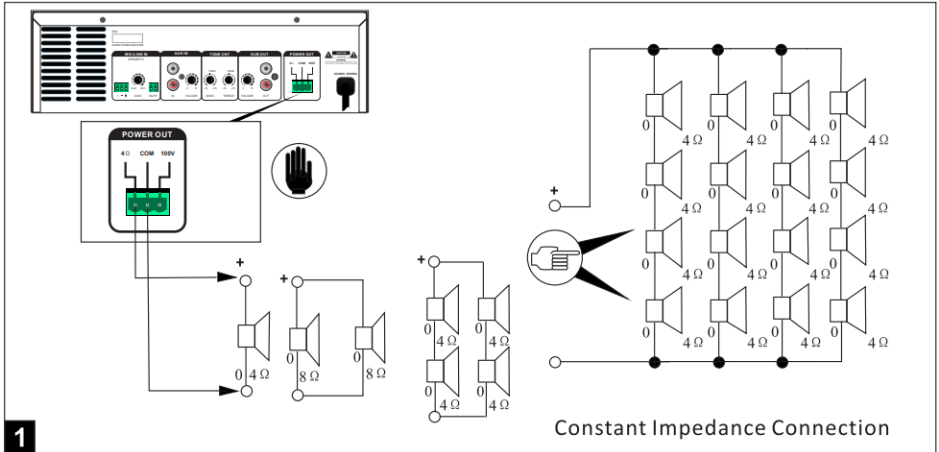
- 1. Power switch
- 2. MP3 and Bluetooth player
- 3. Protection, overload indicator
- 4. MP3 and Bluetooth play or pause
- 5. MP3 and Bluetooth next select;
- 6. MP3 Shuffle Playback
- 7. AUX input selection button
- 8. Bluetooth input selection button
- 9. USB input selection button
- 10. Sound shape button
- 11. MP3, Bluetooth and AUX volume control

Back panel functions



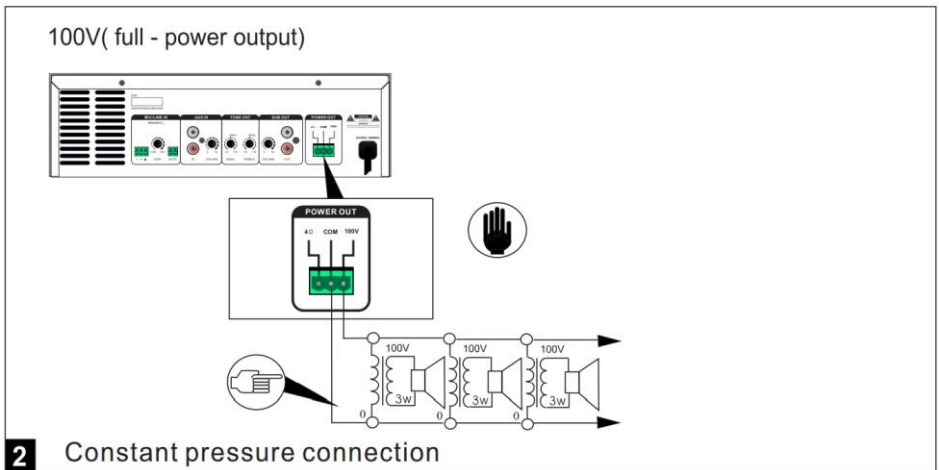
- 1. MIC/LINE input socket
- 2. MIC/LINE input socket gain control
- 3. MUTE TERMINAL
- 4. AUX input socket
- 5. AUX gain control
- 6. Bass Control
- 7. Treble control
- 8.SUB OUT Volume control
- 9. SUB OUT output
- 10. Output terminal: 100V, 4ohm
- 11. AC input

Loudspeaker connection



For short distance of loudspeaker connection connect the 4-16ohms output. The loudspeakers are connected in series or parallel. The total impedance is equal to (or greater than) 4ohms.

Note: Make sure that loudspeakers are connected in-phase in system. In another words, the “+” is connected with “4ohm”, “-” is connected with “COM”.



For long distance of loudspeaker connection connect the 100V/70V constant voltage output. The loudspeakers need to match with the input voltage 100V/70V audio transformer.

Note: Make sure that the total power output of the speakers does not exceed the rated output power of the amplifier.

Key parameters

	Q-60	Q-120	Q-240
Power source	220V AC,50/60Hz		
Output Power	60W	120W	240W
Frequency Response (AUX IN)	60Hz ~ 20 kHz \pm 3dB		
Distortion(THD)	$< 0.3\%$ at 1kHz,1/3 rated output power		
Output	4-16 Ω , 100V		
Line output	600 Ω , 1.5V		
Input	MIC: 600 Ω , 3MV-1.5V		
	Aux:10K Ω ,250MV		
S/N Ratio	MIC: ≥ 66 dB		
	Aux: ≥ 70 dB		
Tone Control	Bass: ± 10 dB AT 100Hz		
	Treble: ± 10 dB AT 10kHz		
Protection	AC Fuse, DC Voltage, Overload and short circuit		
Dimensions (W x H x D)	290 x 290 x 88 mm		
Net Weight	7 kg	8 kg	10 kg