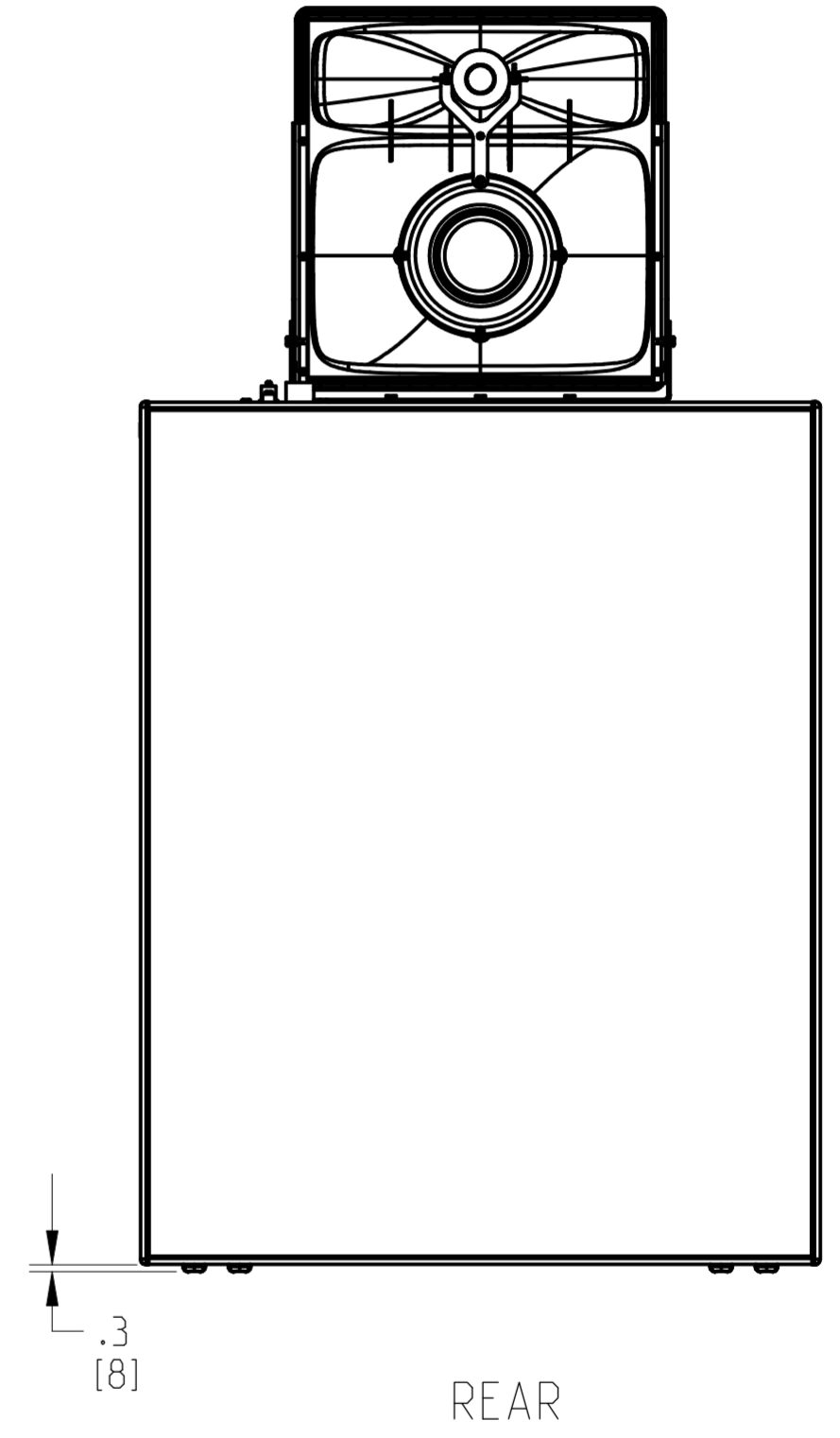
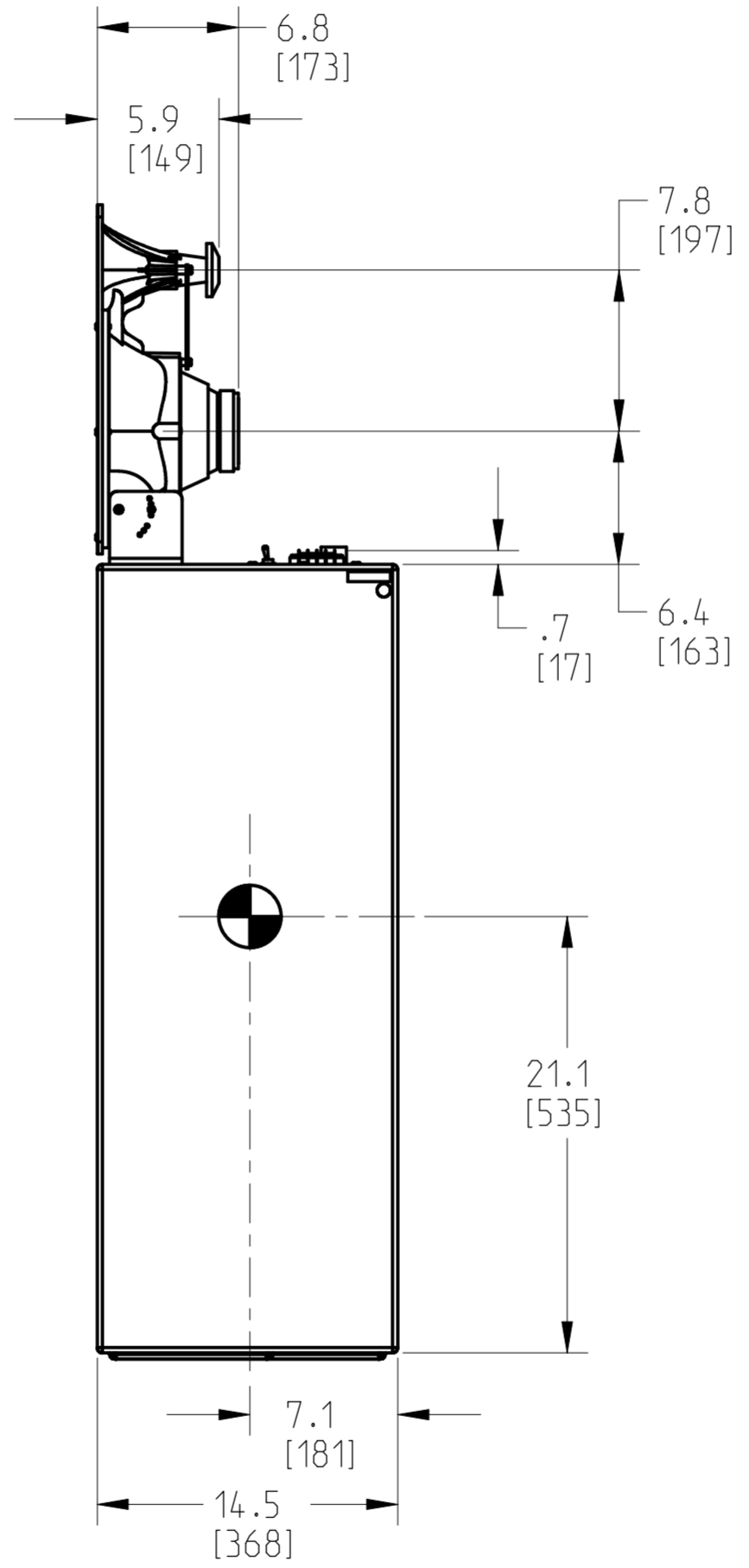
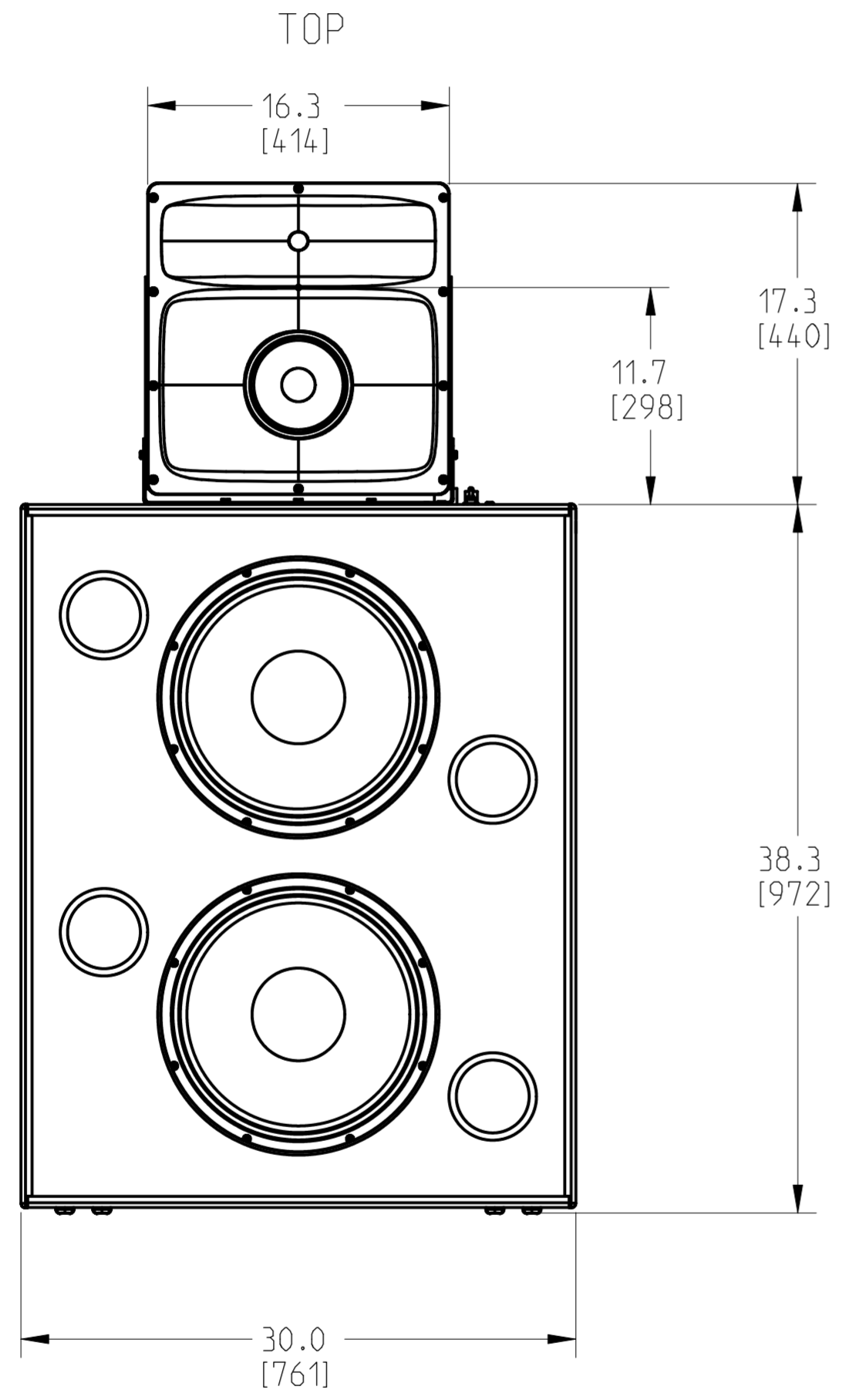
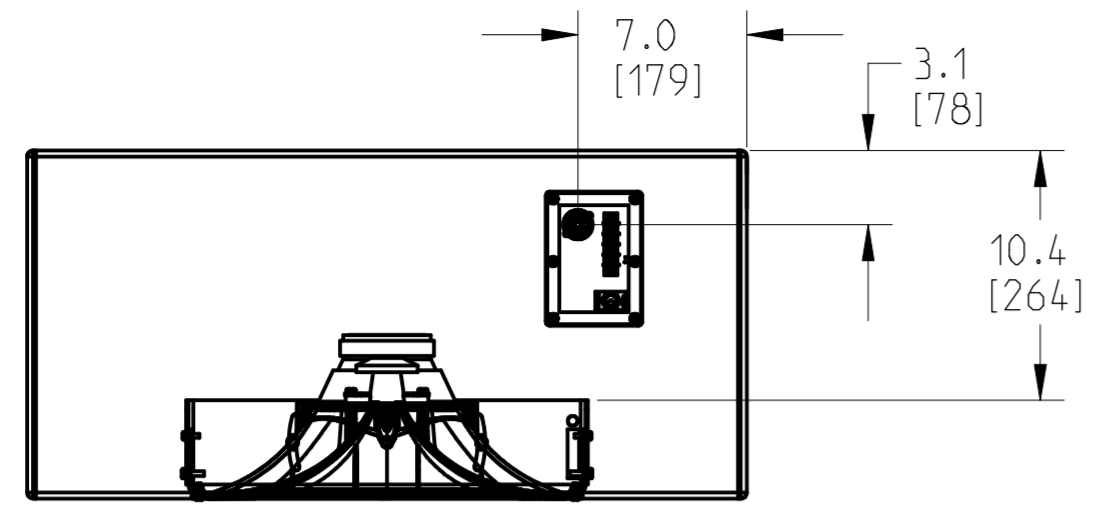




THIS DOCUMENT CONTAINS PROPRIETARY INFORMATION WHICH IS THE PROPERTY OF QSC AUDIO PRODUCTS. THAT MAY NOT BE DISCLOSED, REPRODUCED OR USED WITHOUT EXPRESS WRITTEN CONSENT FROM QSC AUDIO PRODUCTS.

REVISIONS				
REV	DESCRIPTION	EFF DATE	CHK	APVD
1	ENG RELEASE	7-24-08		
A	PRODUCTION RELEASE PER ECO 8784	8-20-08		DD



- 3. SYMBOL  INDICATES CENTER OF BALANCE.
 - 2. TOLERANCES ARE IN INCHES: X X ± 0.13, ANGLES ± 1°
 - 1. NET WEIGHT APPROX. 114.0 LBS (51.8 KG)
- NOTE: UNLESS OTHERWISE SPECIFIED

UNLESS OTHERWISE SPECIFIED DIMENSIONS ARE IN INCHES. TOLERANCES ARE: DECIMALS DECIMALS ANGLES .XX ± .02 .XXX ± .010 ± 1/2 DEBURR EDGES .010 R MAX	CONTRACT NO.		 QSC AUDIO PRODUCTS, LLC 1675 MACARTHUR BOULEVARD COSTA MESA, CA 92626	
	APPROVALS			
MATERIAL	DRAWN A. ARANDA	20-Aug-08		SPEAKER FINISHED, DCS-SC-2150
FINISH	CHECKED M. HARRIS	8-15-08		
DO NOT SCALE DRAWING	MFG ENG	8-19-08		
	ISSUED D. DELARM	8-20-08		SIZE C CAGE CODE 00PW4 DWG NO. RD-000492-01 REV A
		RD-000492-01.A.1		SCALE 0.125 RD-000492-01.A.1 SHEET 1 of 1