

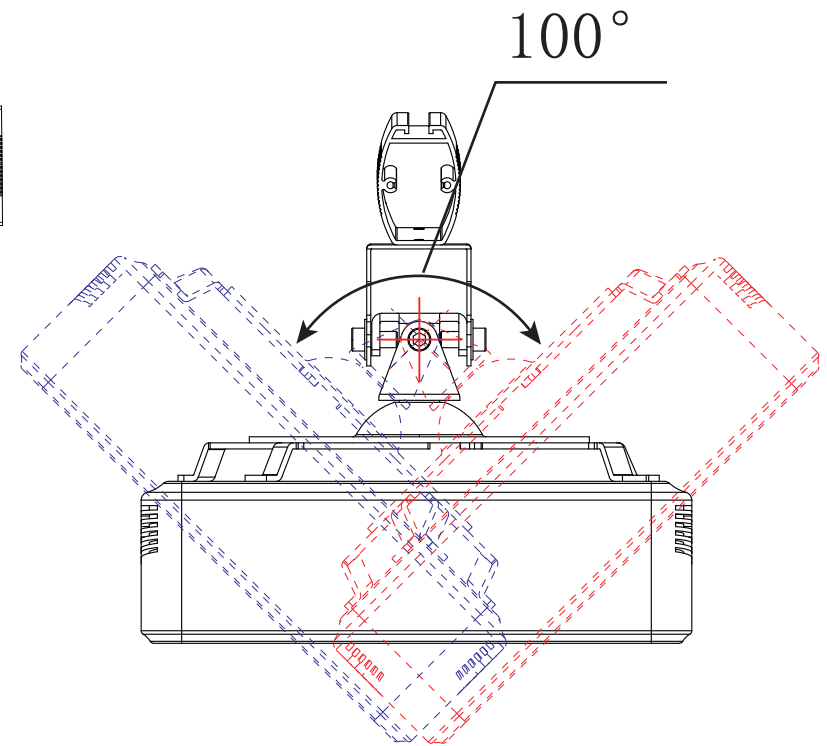
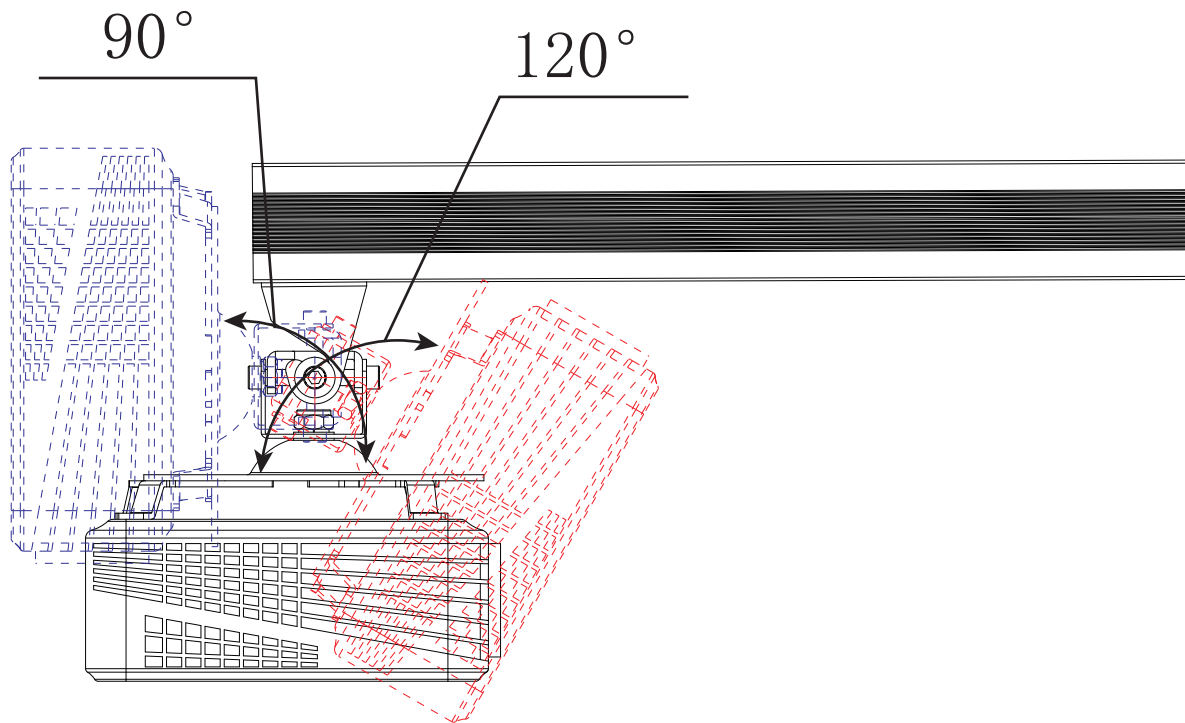
The information in this drawing is the sole property of Wize AV. Any reproduction in part or as a whole without the written permission of Wize AV is prohibited.

[www.wize-av.com](http://www.wize-av.com) | [info@wize-av.com](mailto:info@wize-av.com)

**Wize**  
AV MOUNTING SOLUTIONS

TITLE:  
WTH72120, WTH87150,  
WTH62110

SIZE DWG.NO.  
B



The information in this drawing is the sole property of Wize AV. Any reproduction in part or as a whole without the written permission of Wize AV is prohibited.

[www.wize-av.com](http://www.wize-av.com) | [info@wize-av.com](mailto:info@wize-av.com)

**Wize**  
AV MOUNTING SOLUTIONS

TITLE:		WTH72120, WTH87150, WTH62110
SIZE	DWG.NO.	
B		